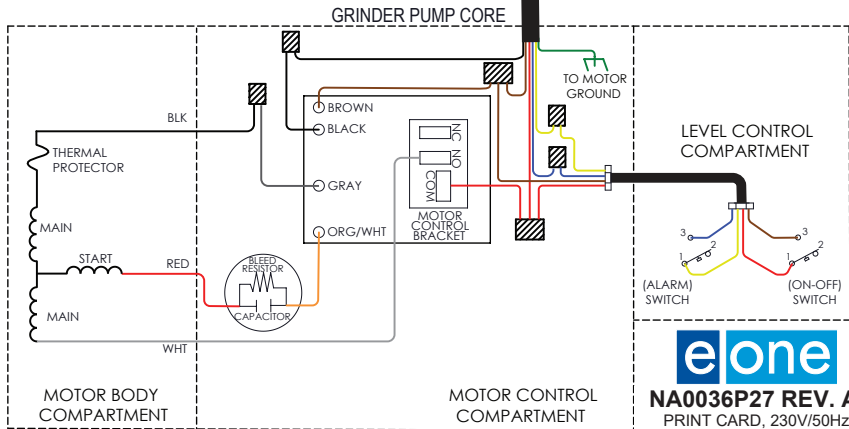


HARD WIRED LEVEL CONTROL

SUPPLY CABLE WIRE COLOR & OPERATION

| EQD PIN # | WIRE COLOR | FUNCTION |
|-----------|------------------------|--------------------|
| 1 | BROWN | MANUAL RUN |
| 2 | RED | L1 |
| 3 | BLACK | L2 OR NEUTRAL |
| 4 | GREEN W/ YELLOW STRIPE | GROUND |
| 5 | YELLOW | ALARM POWER FEED |
| 6 | BLUE | ALARM POWER RETURN |



NA0036P27 REV. A
 PRINT CARD, 230V/50Hz